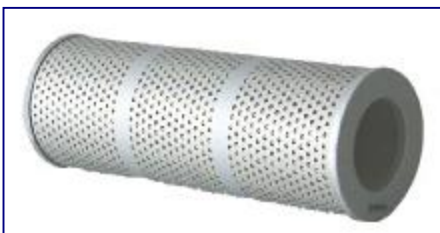


OIL COOLER WITH INTEGRATED TANK AND OIL FILTER



FILTER CARTRIDGE
AKG 8061.001.0001



OIL FILTER (complete)
AKG 8061.001.0000



OIL COOLER
AKG 1053.127.0000

Aircooled oilcoolers for Concrete Mixer Truck applications

The concept of using an oil cooler with integrated tank for mounting of oil filter is well established in the market since many years. AKG coolers are used by many customers as reliable and compact solution for cooling of mixer-drum drive hydraulic oil.

Our basic oil coolers AKG 1053.015.1000 and 0803.035.1000 are regularly produced in big volumes which enables short delivery times.

Several versions for different applications of this oil cooler are available:



AKG Thermotechnik International GmbH & Co. KG

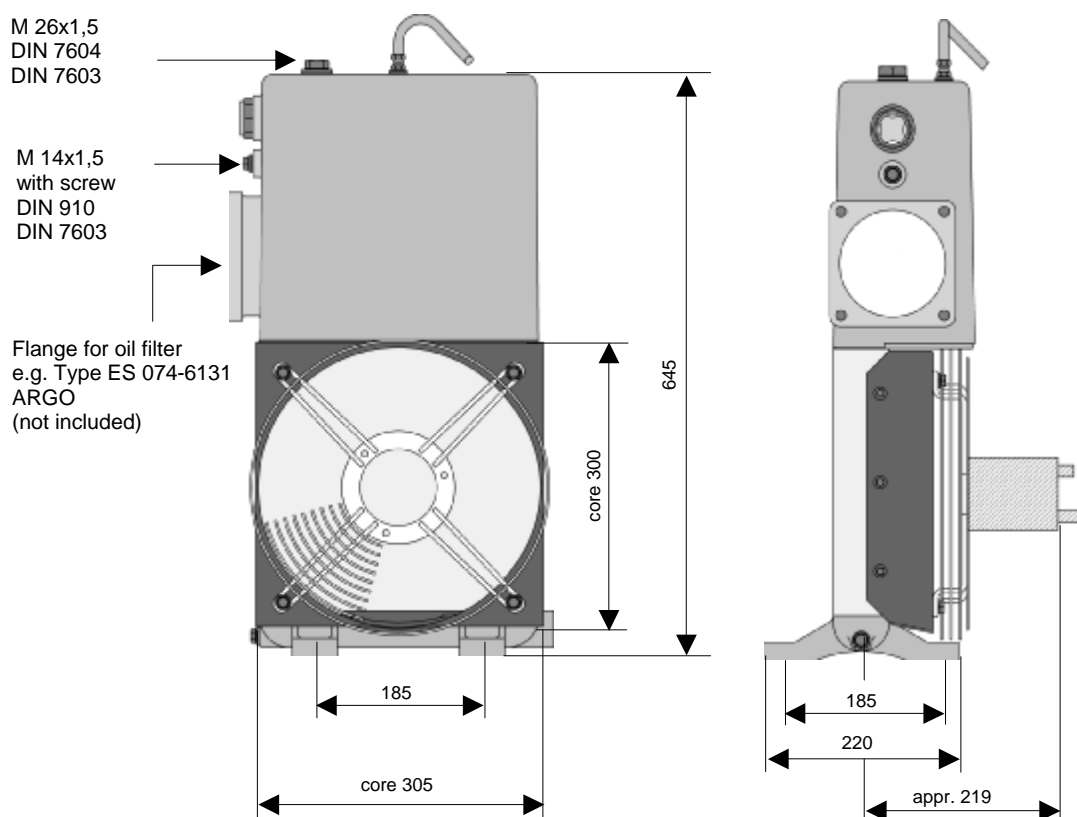
Am Hohlen Weg 31; D-34369 Hofgeismar; Telefon: ++49 (0) 5671 883-0; Telefax: ++49 (0) 5671 3582
Internet: www.akg-gruppe.de; E-mail: info@akg-gruppe.de

Oil Cooler 1053.015.0000 and 1053.016.0000

Oil Volume Flow (l/min)	Heat Transfer @ ETD 40 (kW)	Oil Pressure Drop @ 30 cSt (bar)
20	6,2	0,10
50	6,6	0,35
80	7,0	0,60

Oil Cooler 0803.035.0000 and 0803.036.0000

Oil Volume Flow (l/min)	Heat Transfer @ ETD 40 (kW)	Oil Pressure Drop @ 30 cSt (bar)
45	10,1	0,28
80	10,3	0,60



Mixer size, required cooling capacity, axial fan-Æ	Battery	Description (Basic Coolers: AKG 1053.015.1000/0803.035.1000)	AKG type No.
6...7 m ³ , 6 ... 12 kW, 280 mm	12V	Cooler, completed with fan, shroud and guard.	1053.016.0000
		Cooler, completed with fan, shroud and guard. Oil filter, sealing and thermo-switch enclosed.	1053.143.0000
	24V	Cooler, completed with fan, shroud and guard	1053.015.0000
		Cooler, completed with fan, shroud and guard. Oil filter, sealing and thermo-switch enclosed.	1053.127.0000
8...10 m ³ , 10 ... 15 kW, 305 mm	12V	Cooler, completed with fan, shroud and guard.	0803.036.0000
	24V	Cooler, completed with fan, shroud and guard.	0803.035.0000
		Cooler, completed with fan, shroud and guard. Oil filter, sealing and thermo-switch enclosed.	0803.044.0000

Versions with small fan diameter offer the same cooling capacity like 1053.015.0000.
Versions with large fan diameter offer the same cooling capacity like 0803.035.0000.

Oil tank volume approximately 8 litre.

Filter grid size is about 10 µm.

Clogged filter cartridges can be changed without refilling the hydraulic system.

Cooler AKG type No.	Blower AKG type No.	Voltage [V]	Power Consumption [kW]	Fan Speed [RPM]
1053.016.0000	8407.304.0022	12	0,15	2800
1053.015.0000	8407.304.0036	24	0,12	2500
0803.036.0000	8407.304.0024	12	0,24	2800
0803.035.0000	8407.304.0037	24	0,27	2800